

AX60630

Embedded MicroBox for
Low Power Mini-ITX SBC



▲ Front view

Features

- Designed for low power mini-ITX SBC
- One 2.5" HDD supported
- Wall mount
- Slim design with 2 system fans



1 x COM (Optional)

▲ Rear view

Standard I/O opening for
Mini-ITX SBC

Specifications

Standard Color	Black
Construction	Heavy-duty cold-rolled steel
Indicator	1 x blue LED for system power-on
Front Panel I/O	N/A
Rear Panel I/O	1 x Standard Mini ITX I/O bracket space 1 x Power Button 1 x COM (Optional)
Expansion Interface	N/A
Drive Capacity	1 x 2.5" HDD
Cooling	40 x 40 mm system fan x 2
Power Supply	12V, 60W
Dimensions	259.5 mm (10.22") (W) x 186 mm (7.32") (D) x 58.5 mm (2.30") (H)
Environment	EMI pre-scan meets EN55022 Class A

Applications

Wallmount PC controller
Embedded PC controller
Unattended controller
Compact industrial PC
POS
Digital Signage

Packing List

1 x AC power cord, 1 x 60W AC Adapter

Ordering Information

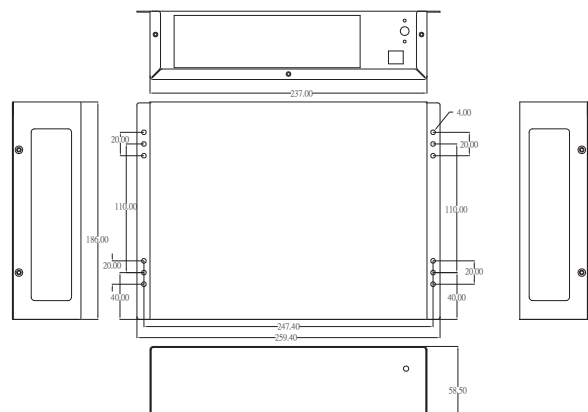
Standard

AX60630 Embedded MicroBox for Low Power Mini-ITX SBC

SBC Options

MAN0842/MAN0300

Dimensions



Overview

Embedded
Systems

Embedded
Systems for
Transportation

Embedded
Field
Controllers

Industrial
Firewall

Digital Signage
Solutions

Embedded
MicroBoxes

Industrial
Barebone
Systems

Industrial
Chassis

Backplanes

Power
Supplies

Peripherals &
Accessories

